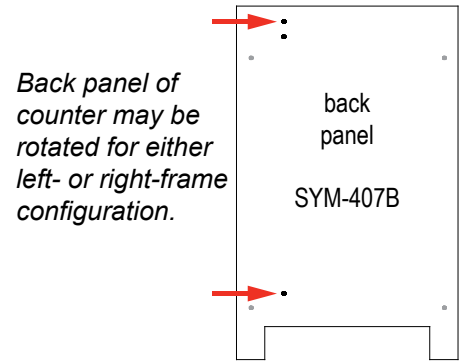


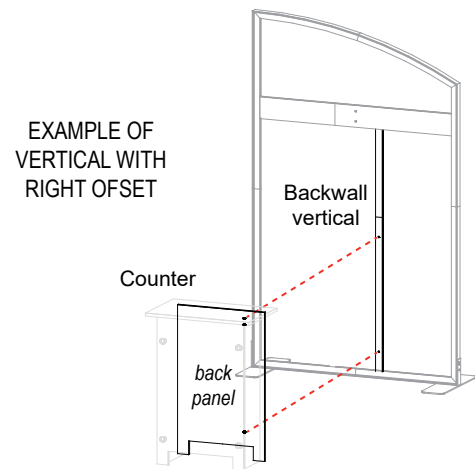
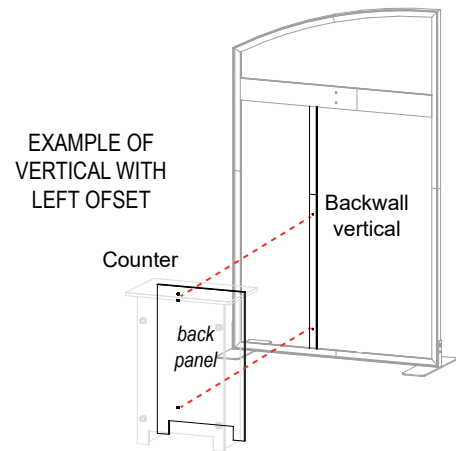
**Back Panel Hole Placement**

Holes on back panel of Counter are off-center to attach to backwall vertical.



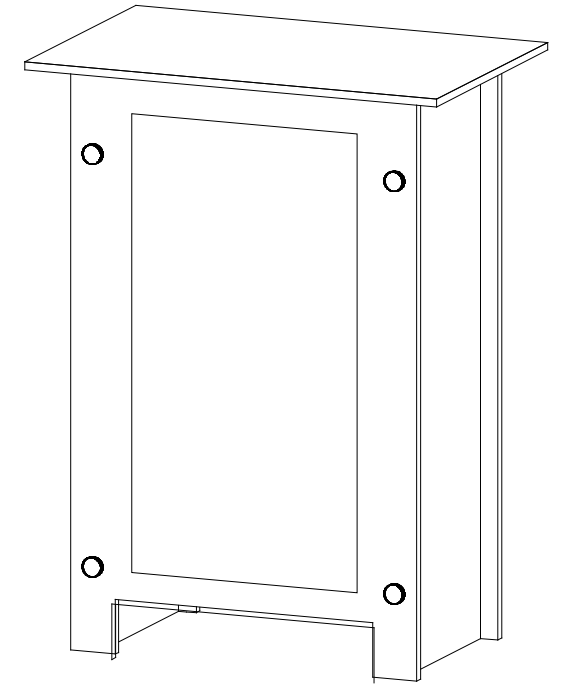
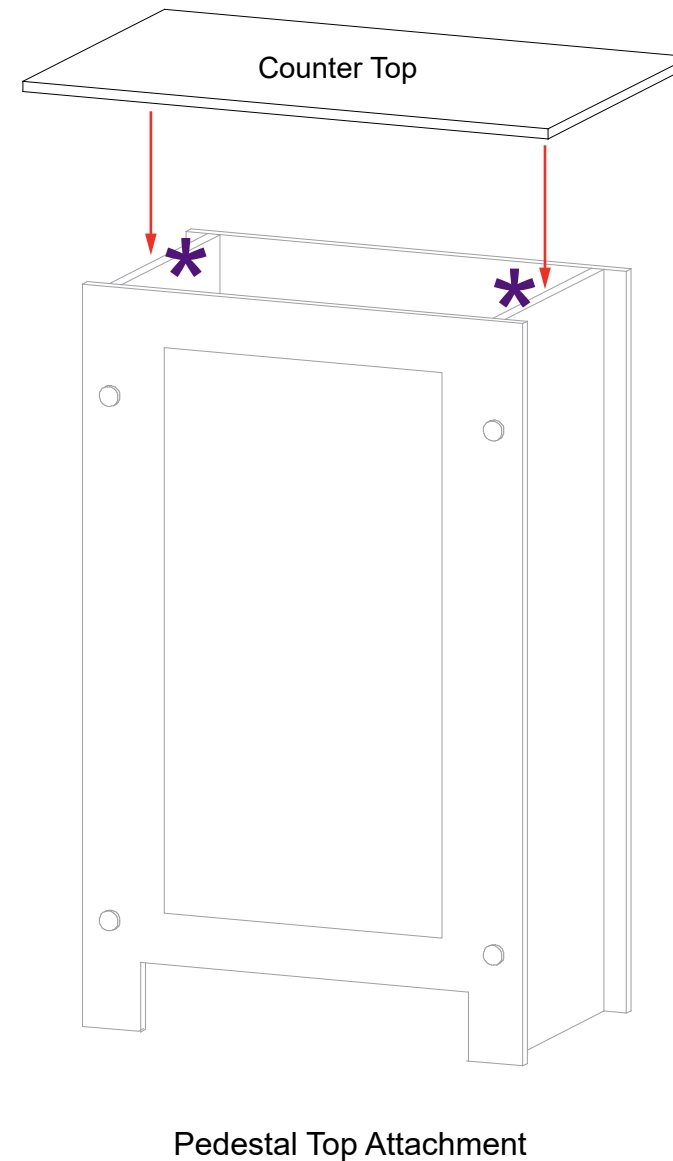
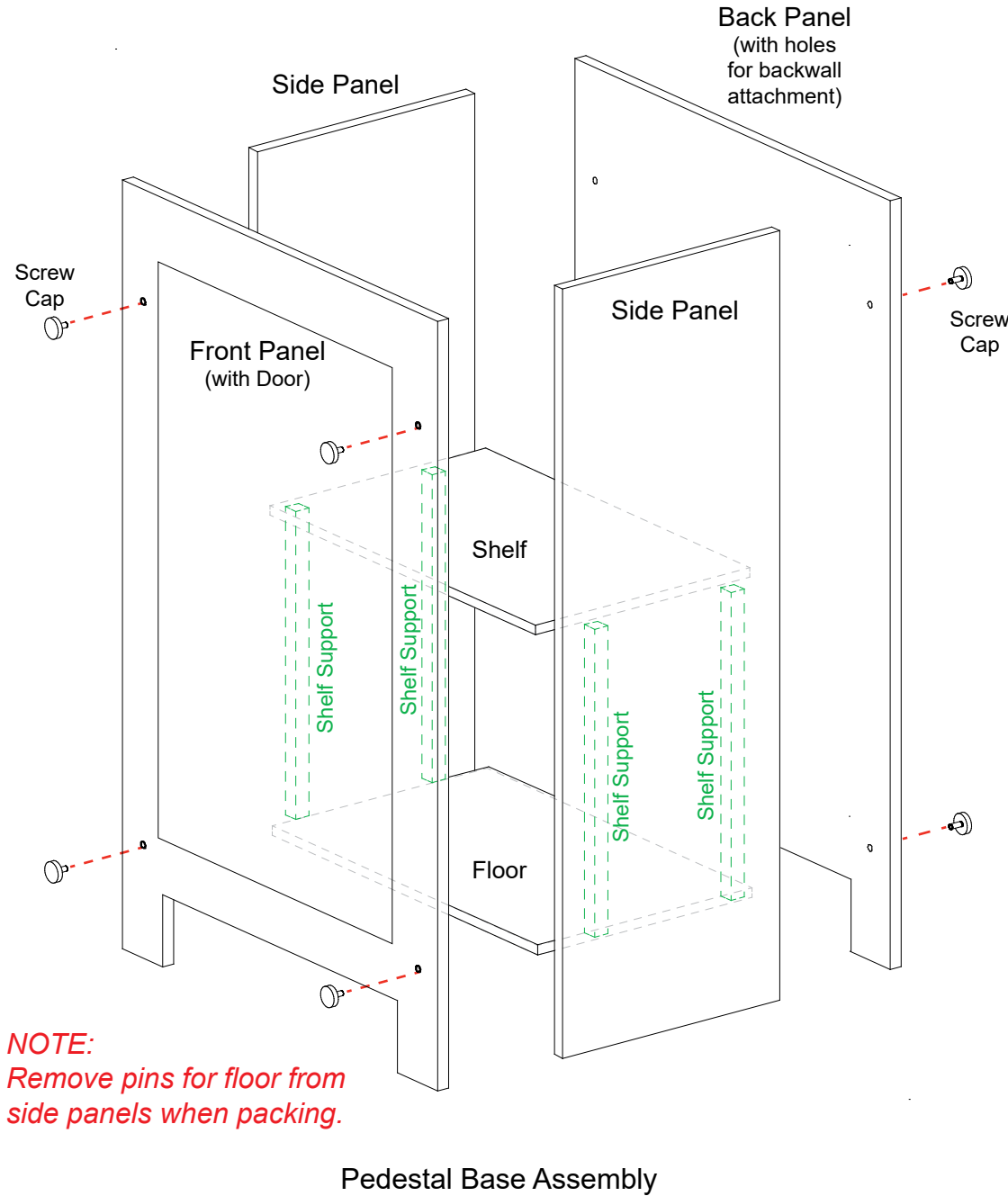
When assembling counter, align holes of back panel to vertical extrusion of backwall frame.

Counter should be *centered* on backwall frame when installed.



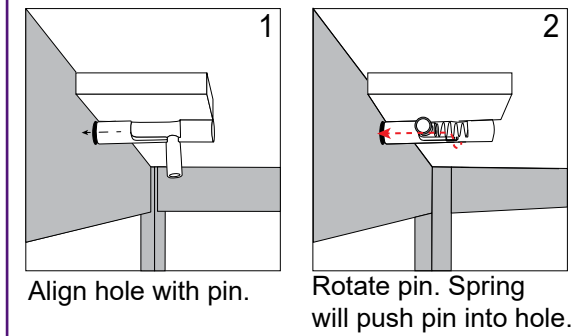
**Steps:**

- 1) Attach pins at bottom interior of side panels. *Note: Pins are designed to be slightly angled.*
- 2) Use screw caps to secure side panels to front & back panels.
- 3) Slide floor into the bottom of assembled pedestal base. The floor will sit on pins of the side panels.
- 4) Connect **shelf supports** with Velcro inside of panels, then place shelf on top of supports.
- 5) Attach Counter Top to assembled pedestal base. See **Counter Top Attachment** detail.

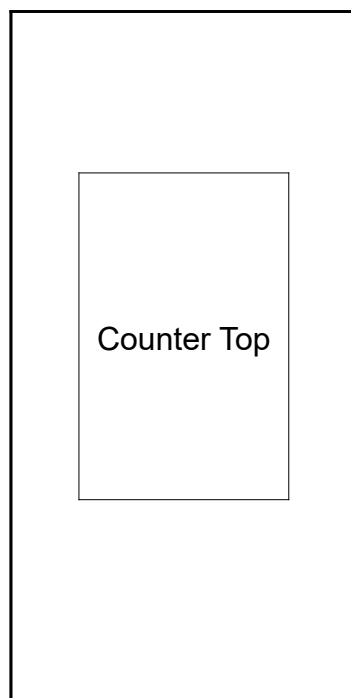


When assembled  
SYM-407B Backwall Counter

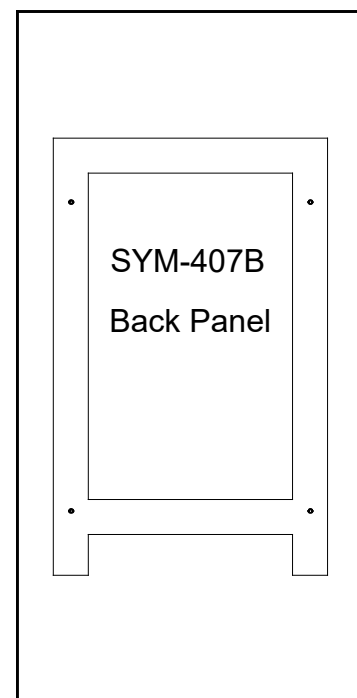
**\* Counter Top Attachment**



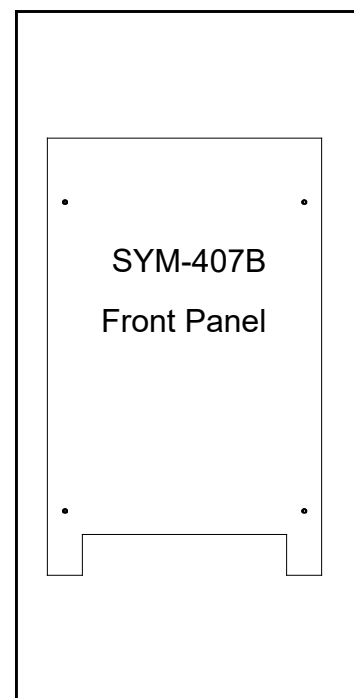
## Top View of Each Level



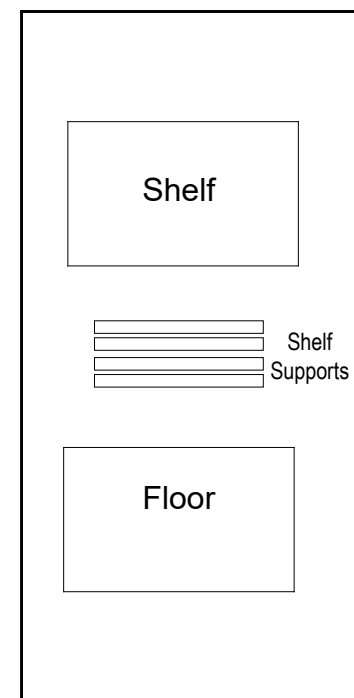
Level 1  
(Bottom level)



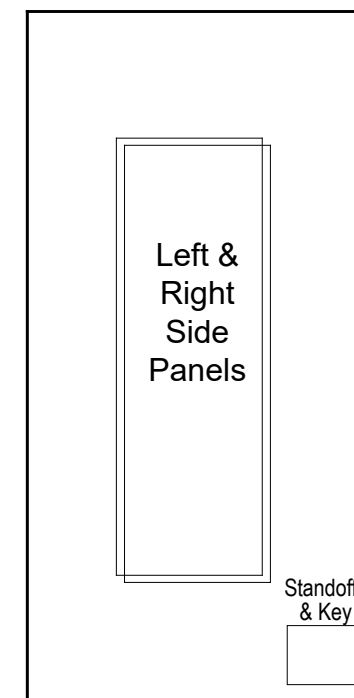
Level 2



Level 3



Level 4



Level 5